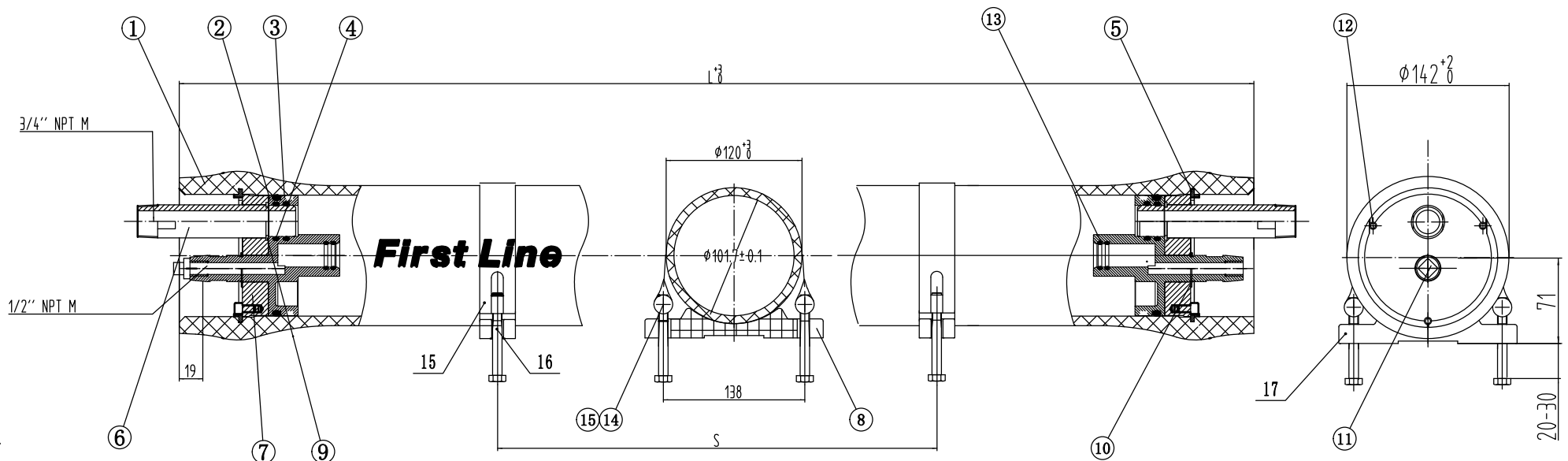


1000PSI

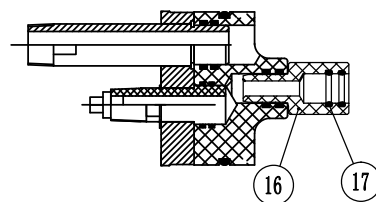


Ref.	Description	Part Number	Qty.	Material	Remark
17	O-Ring	F40H-59-01	4	EPDM	PP245 Used for 4 to 6 elements vessel only
16	Adapler	F40H-102-01	2	ABS	Used for 4 to 6 elements vessel only
15	Strap Screw	F40H-83-01	4~6	304SST	M8*70
14	Strap	F40H-11-01	2~3	304SST-Rubber	
13	O-Ring	F40H-59-01	2	EPDM	19*2.65
12	Securing Screw	F40H-84-01	6	304SST	M6*10
11	Plug	F40H-10-01	1	ABS	
10	Retaining ring	F40H-101-01	2	304SST	
9	Retaining ring	F40H-97-01	2	304SST	
8	Saddle	F40H-03-01	2~3	Rubber	
7	Bearing Plate	F40H-07-01	2	Aluminium Alloy	
6	Feed/Conc.Port	F40H-06-01	2	2507SST	
5	Locking Kit Segment	F40H-95-01	2	316SST	
4	O-Ring	F40H-60-01	2	EPDM	25.8*3.55
3	O-Ring	F40H-58-01	2	EPDM	90*5.3
2	Sealing Plate	F40H-05-01	2	ABS	
1	Pressure Shell	See SelectionTable	1	Epoxy FRP	White
Ref.	Description	Part Number	Qty.	Material	Remark

Note:

1. Design pressure: 1000PSI(69Bar)
2. Design temperature: 150° F(66° C)
3. Minimum temperature: 14° F(-10° C)
4. Working medium: Water, PH 3-11
5. Please operate in accordance with User Guide
6. Flexible piping should be used on permeate connection tomainfold
7. Subject to change without prior notice

Ref.	Part Number	L (MM)	S (MM)	Approx assembly weight (KG)
1	F40100E-1	1244	600	12
2	F40100E-2	2260	1200	17
3	F40100E-3	3276	2200	21
4	F40100E-4	4372	1600x2	27
5	F40100E-5	5388	2300x2	32.5
6	F40100E-6	6404	2700x2	38



Harbin FirstLine Environment Technology Co., Ltd

<b>First Line</b>	Design Date	Model	F40-1000E Pressure Vessel	
	Review Date	DRG	F40-100-E-00-01	
	Approval Date	Unit	mm	REV. 2017