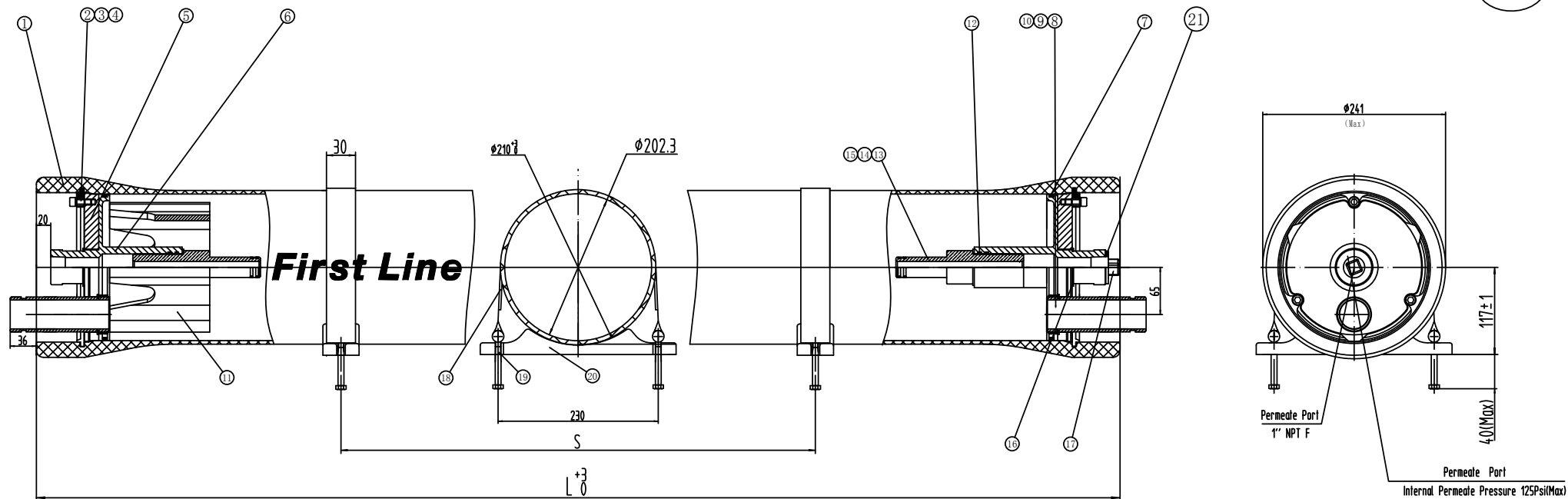


300PSI



21	O-ring	F80L-52-01	1	EPDM	36.5x3.55
20	Saddle	F80L-16-01	2-3	Rubber	
19	Strap Screw	F80L-82-01	4-6	304SST	M8*90
18	Strap	F80L-17-01	2-3	304SST-Rubber	
17	Plug	F80L-14-01	1	ABS	
16	Retaining Ring	F80L-92-01	2	304SST	
15	O-ring	F80L-53-01	4	EPDM	23.6x2.65
14	Adapter	F80L-11-01	2	ABS	
13	Adapter Pad	F80L-15-01	2	ABS	
12	O-ring	F80L-52-01	4	EPDM	36.5x3.55
11	Thrust Ring	F80L-08-01	1	ABS	
10	O-ring	F80L-57-01	4	EPDM	47.5*3.55
9	Retaining-ring	F80L-92-01	2	304SST	
8	Feed/Conc.Port	F80L-23-01	2	316L SST	
7	O-ring	F80L-51-01	2	EPDM	190x5.3
6	Sealing Plate	F80L-22-01	2	ABS	
5	Bearing Plate	F80L-21-01	2	Aluminium Alloy	
4	Locking Kit Segment	F80L-03-01	6	304SST	
3	Spring Pad	F80L-02-01	6	304SST	φ8
2	Locking Segment Screw	F80L-81-01	6	304SST	M8x20
1	Pressure Shell	See Section Table	1	Epoxy FRP	White
Ref.	Description	Part Number	Qty.	Material	Remark

Ref.	Part Number	L (MM)	S (MM)	Approx assembly weight (KG)
1	F8030E-1	1494	700	29
2	F8030E-2	2510	1460	34.5
3	F8030E-3	3526	2080	42
4	F8030E-4	4542	1600x2	48.5
5	F8030E-5	5558	2000x2	55
6	F8030E-6	6574	2360x2	61.5
7	F8030E-7	7590	2860x2	68

Note:

1. Design pressure: 300PSI(21Bar)
2. Design temperature: 150° F(66° C)
3. Minimum temperature: 14° F(-10° C)
4. Working medium: Water, PH 3-11
5. Please operate in accordance with User Guide
6. Flexible piping should be used on permeate connection to main fold
7. Subject to change without prior notice

Harbin FirstLine Environment Technology Co., Ltd.

First Line	Design Date	Model	F80-300E Pressure Vessel
	Review Date	DRG	F80-30-E-00-01
	Approval Date	Unit	mm
		REV.	2016